

Read this instruction carefully. See hardware and furniture part list for guidance. Be sure all parts are complete, before you assemble. Place all wooden furniture parts on a clean and flat soft surface to prevent from being scratched. Follow the figure to start assembling.

CAUTIONS : 1. Do not FULLY - TIGHTEN the nut or nut bolt until all nut or bolt is ready assembled.
 2. Do not OVER - TIGHTEN the nut or bolt to avoid causing damages to the thread.
 3. Keep all hardware parts out of reach of children.

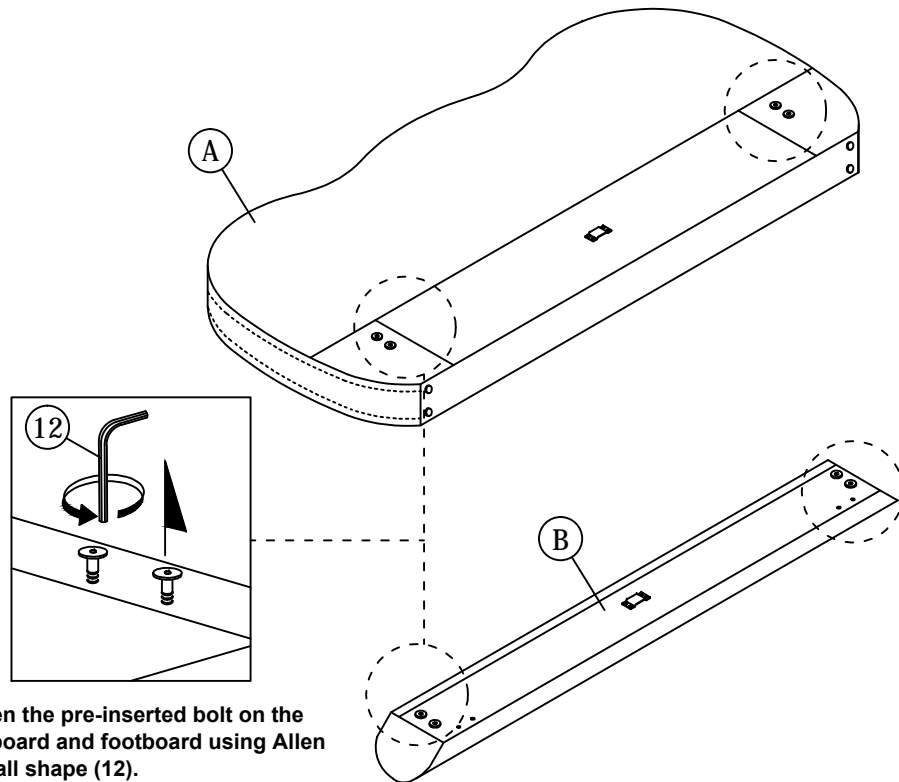
NOTE : THE LIST AND QUANTITY SHOWN ARE FOR 1 UNIT ASSEMBLY.

Tool needed : Screwdriver (not provider).

PART LIST		
ITEM	DESCRIPTION	QTY
A	HEADBOARD	1 PC
B	FOOTBOARD	1 PC
C	BED LEG	4 PCS
D	SIDE RAIL	2 PCS
E	CENTER RAIL	1 PC
F	CENTER SUPPORT LEG	3 PCS
G	CENTER SUPPORT	2 PCS
H	BED SLAT	24 PCS

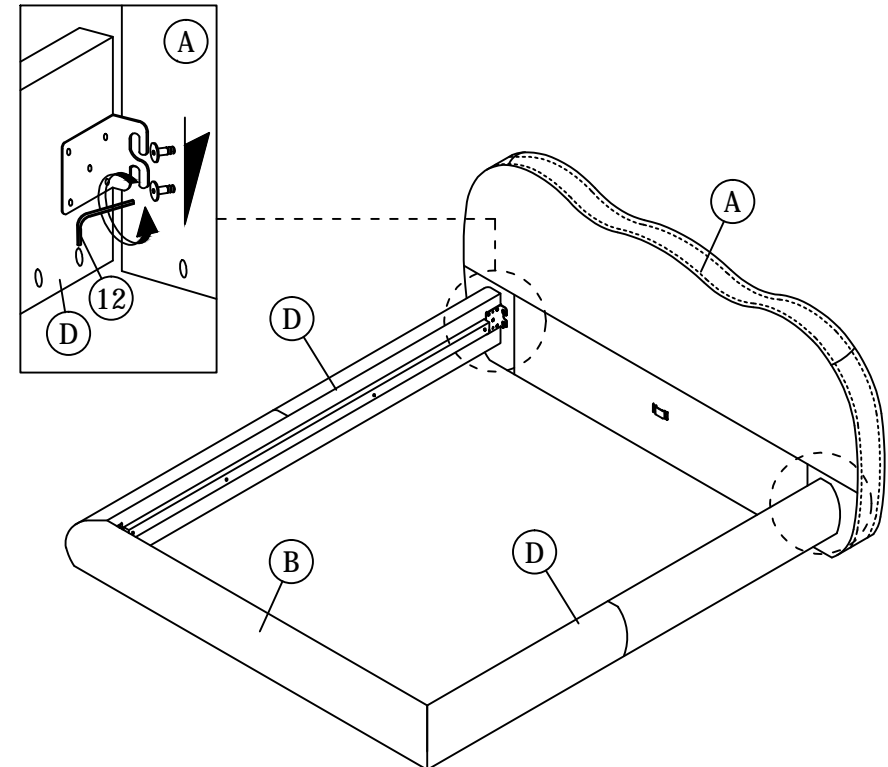
HARDWARE LIST		
ITEM	DESCRIPTION	QTY
1	JCBC BOLT M6 x 20mm	8 PCS
2	5/16 HEX NUT	2 PCS
3	M6 FLAT WASHER	8 PCS
4	M6 SPRING WASHER	8 PCS
5	M8 FLAT WASHER	2 PCS
6	M8 SPRING WASHER	2 PCS
7	LB 001 CONNER BRACKET	2 PCS
8	SPANNER 13mm	1 PC
9	WOOD SCREW M4 X 20mm	2 PCS
10	WOOD SCREW M3.5 X 16mm	8 PCS
11	M4 ALLEN KEY (BALL SHAPE)	1 PC
12	M5 ALLEN KEY (BALL SHAPE)	1 PC
13	BED SLAT SIDE FITTER	24 PCS
14	BED SLAT CENTER FITTER	12 PCS

STEP 1



Loosen the pre-inserted bolt on the headboard and footboard using Allen key ball shape (12).

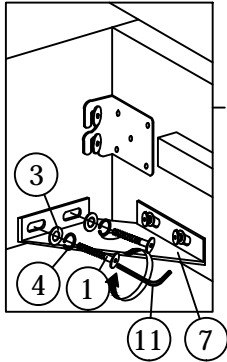
STEP 2



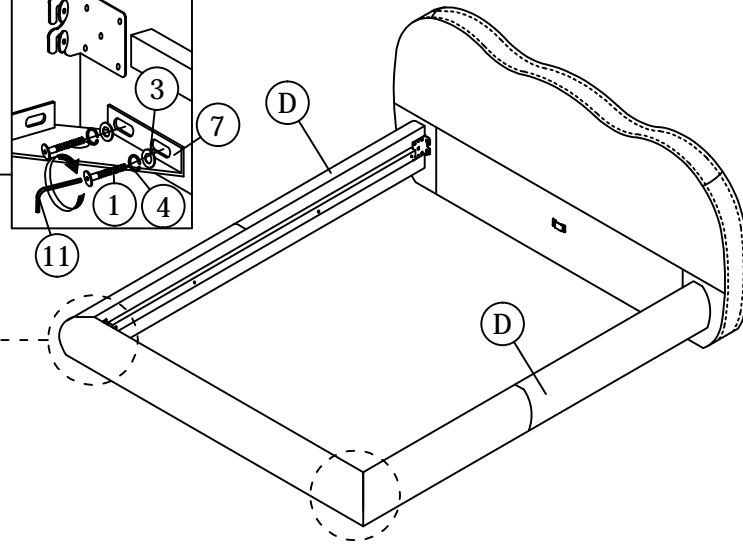
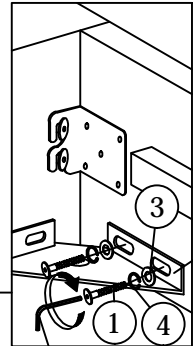
ASSEMBLY INSTRUCTIONS

STEP 3

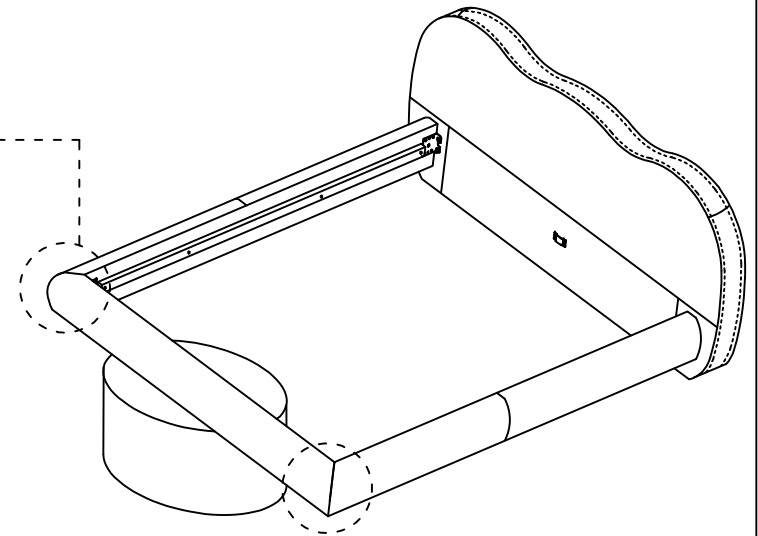
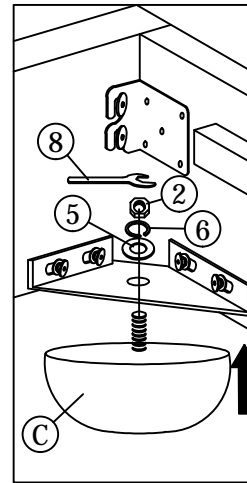
STEP 3.2



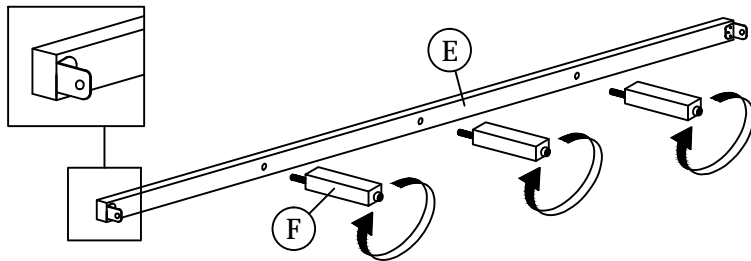
STEP 3.1



STEP 4

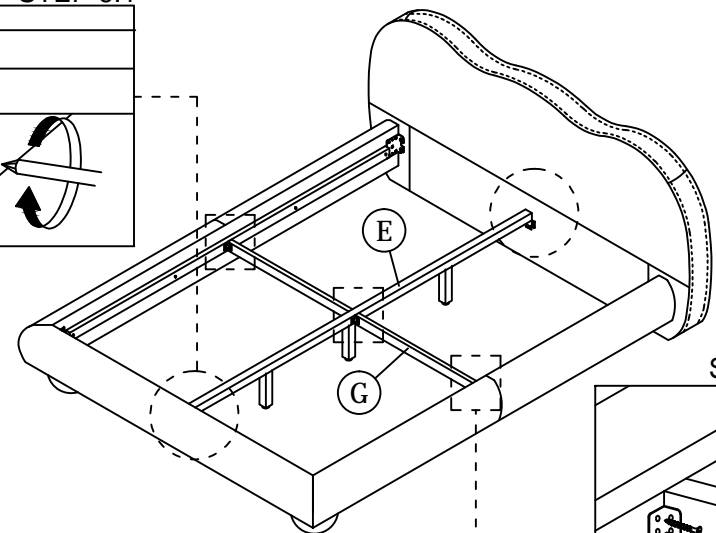
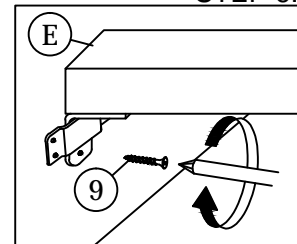


STEP 5

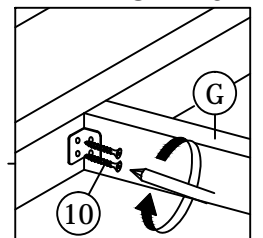


STEP 6

STEP 6.1

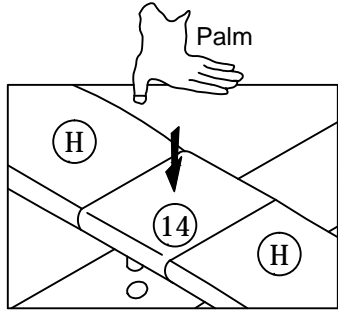
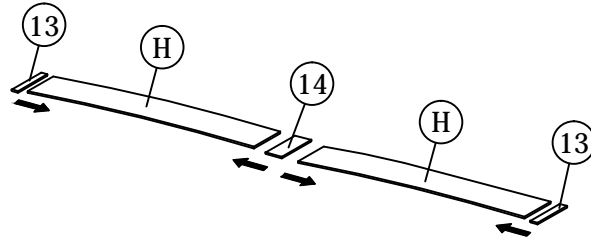
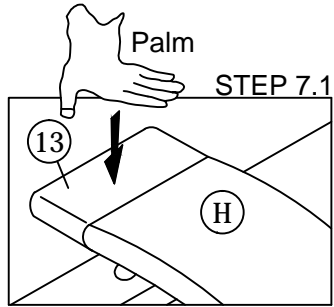


STEP 6.2

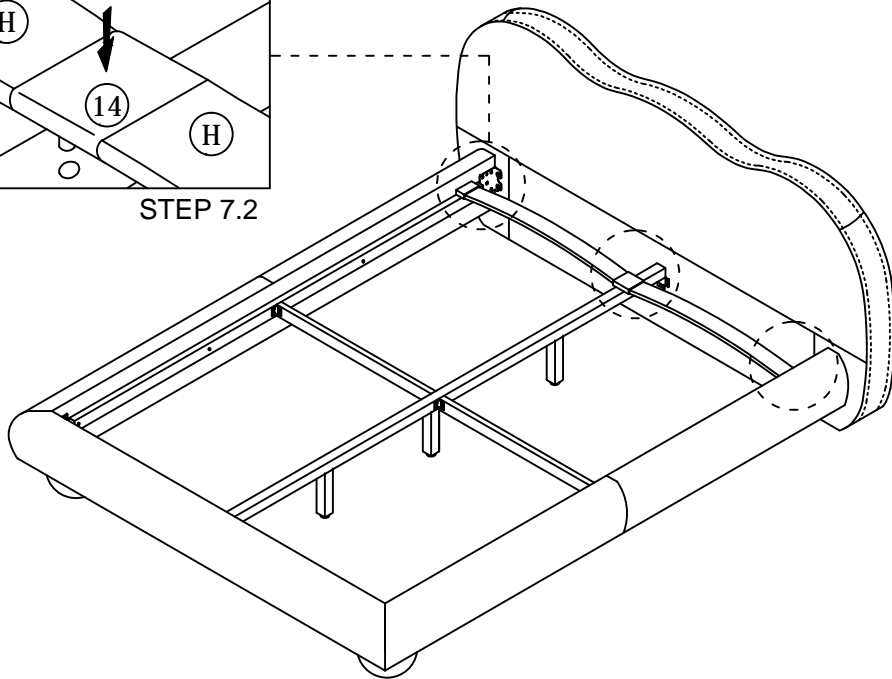


ASSEMBLY INSTRUCTIONS

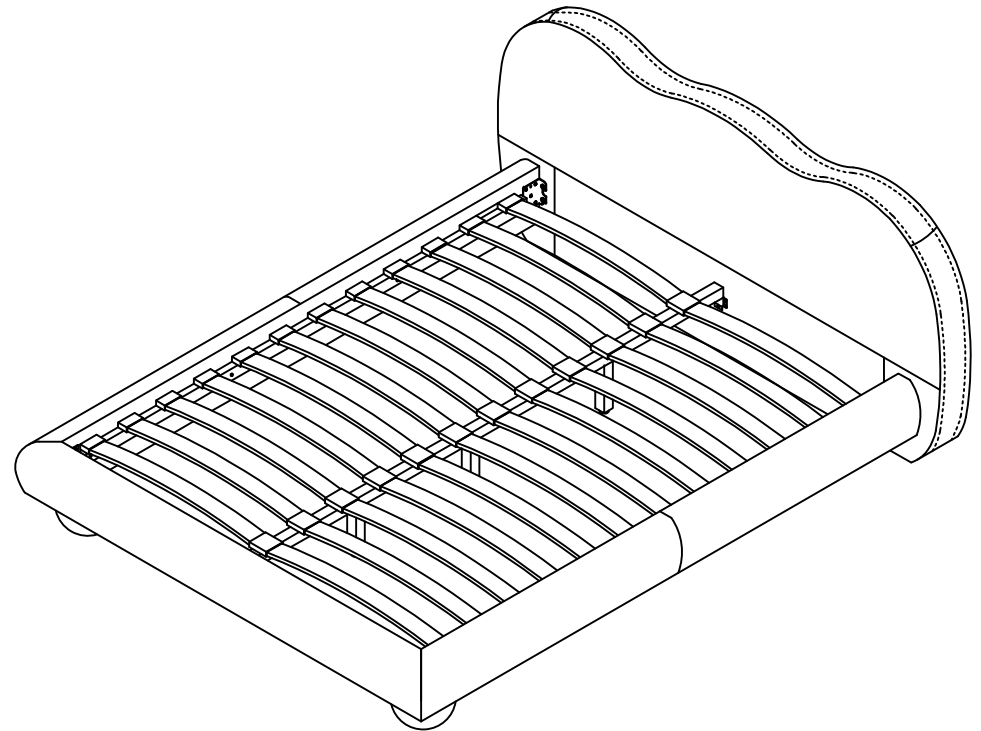
STEP 7



STEP 7.2



STEP 8



*** When moving the bed position, the center support legs must be adjust to be straight to avoid any broken problem.**